

Flexible Metal Hose

INFICON CF quality fittings are manufactured according to ISO 3669 and the latest TS/ ISO 3669-2 standard. INFICON Ultra high vacuum fittings are designed for applications down to 1×10^{-12} mbar and bakeout temperatures up to 400°C.



BENEFITS

- World wide logistics
- Design and measures follow strictly international respected standards
- Surface finish, welds, material specifications and cleanliness meet or exceed high vacuum specifications
- 2011/65/EU RoHS compliant

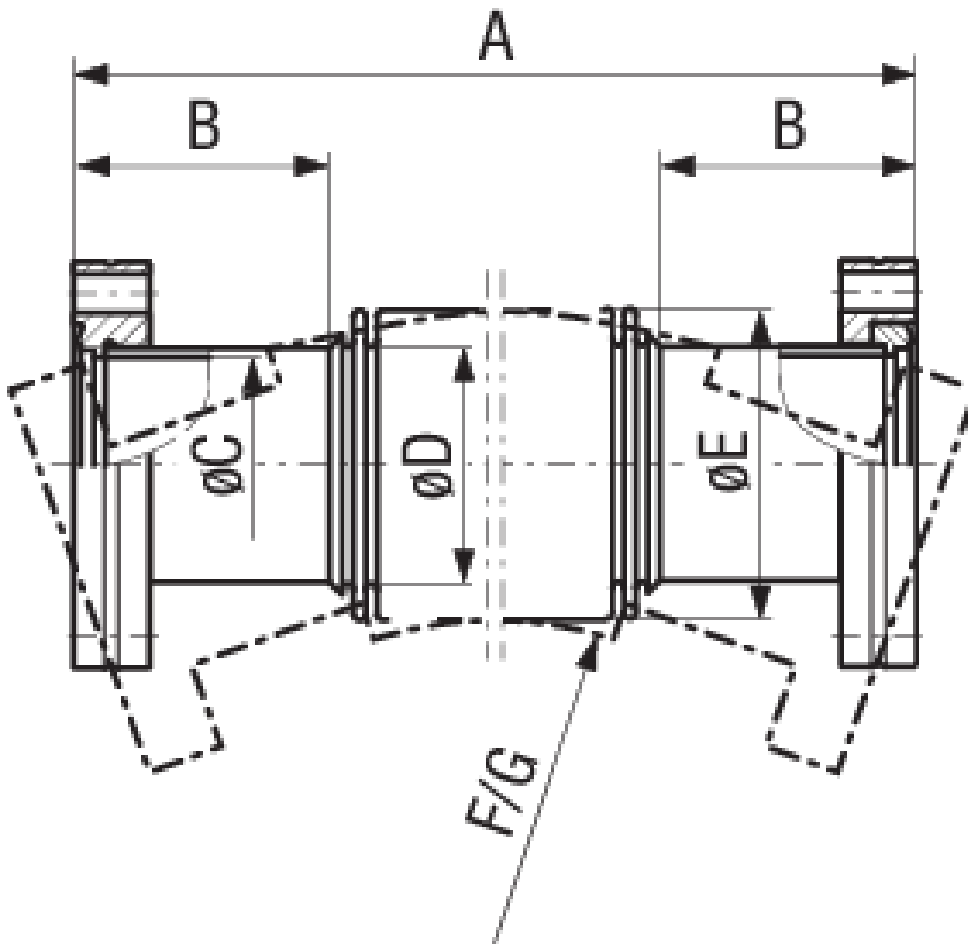
ORDER INFORMATION

Type	DN 16 CF	DN 40 CF
Flexible metal hose DN16 CF x 1000	213-364	
Flexible metal hose DN16 CF x 250	213-361	
Flexible metal hose DN16 CF x 500	213-362	
Flexible metal hose DN16 CF x 750	213-363	
Flexible metal hose DN40 CF x 1000		213-368
Flexible metal hose DN40 CF x 250		213-365
Flexible metal hose DN40 CF x 500		213-366
Flexible metal hose DN40 CF x 750		213-367

SPECIFICATIONS

Type	DN 16 CF	DN 40 CF
Dimension A	250, 500, 750, 1000	250, 500, 750, 1000
Dimension B	23	46
Dimension C	16	36.8
Dimension D	15	40.5
Dimension E	22.5	53
Dimension F	70	130
Dimension G	50	100
Flanges:	Stainless steel 304L / 1.4306	Stainless steel 304L / 1.4306
Bellows:	Stainless Steel 316 Ti / 1.4571	Stainless Steel 316 Ti / 1.4571
Internal pressure:	Max. 5 bar	Max. 5 bar
F=	Radius for multiple bending	Radius for multiple bending
G=	Radius for single bending	Radius for single bending

DIMENSIONS



www.inficon.com reachus@inficon.com

Due to our continuing program of product improvements, specifications are subject to change without notice.
RateWatcher is a trademark of INFICON. All other trademarks are the property of their respective owners.

(2018-08) © 2018 INFICON